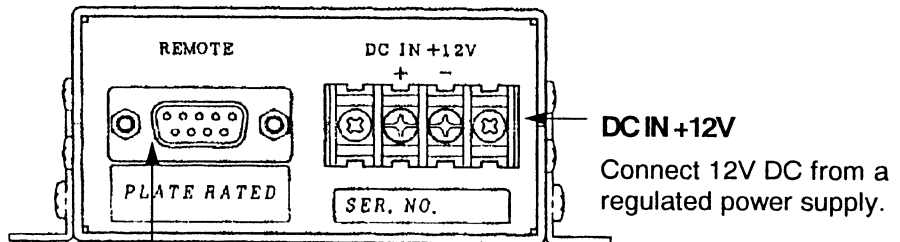
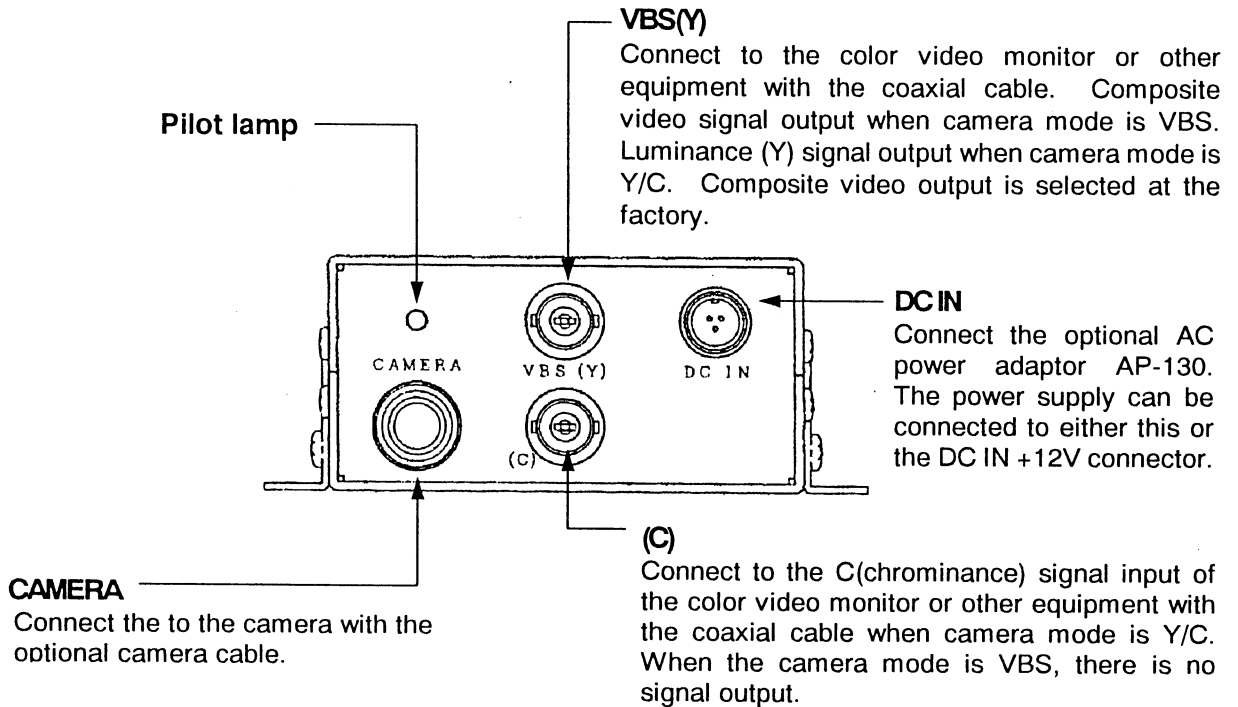


# 10. Junction box JU-D8

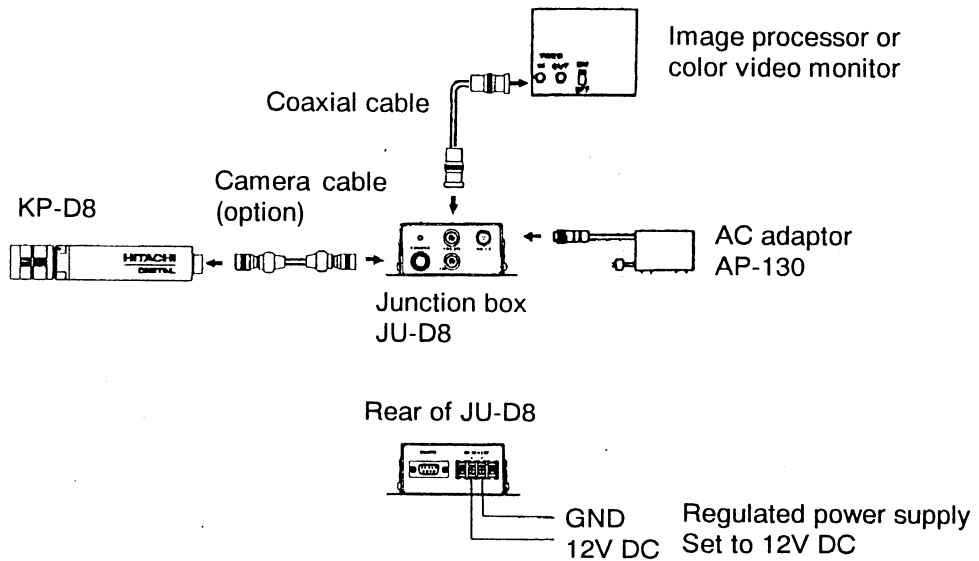
JU-D8 is the connector conversion box containing an RS-232C interface circuit.

## ( 1 ) Section name and functions



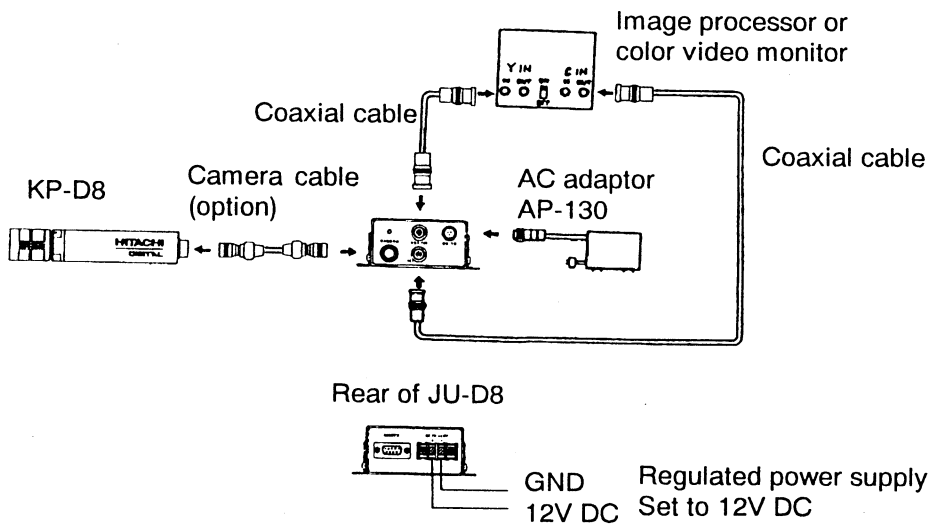
## ( 2 ) Connection with junction box JU-D8

- **Connection of composite video output**  
[ Mode select switch\_6 (VBS/YC) : VBS side ]



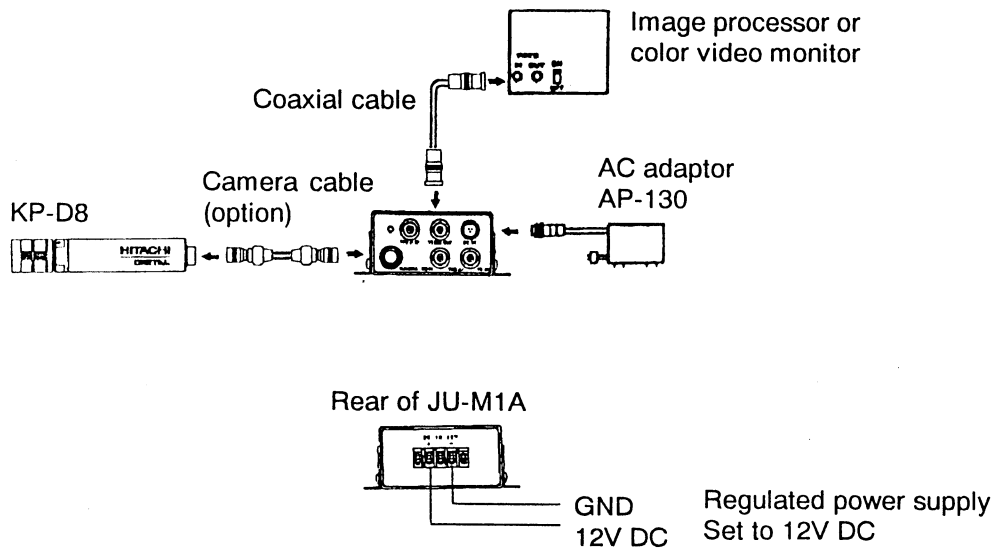
- When not using the AP-130 supply 12V from rear of the JU-D8.
- Set to 75 ohms termination switch only of the end monitor when plural monitors are connected in loop-through.

- **Connection of Y/C signal output**  
[ Mode select switch\_6 (VBS/YC) : Y/C side ]



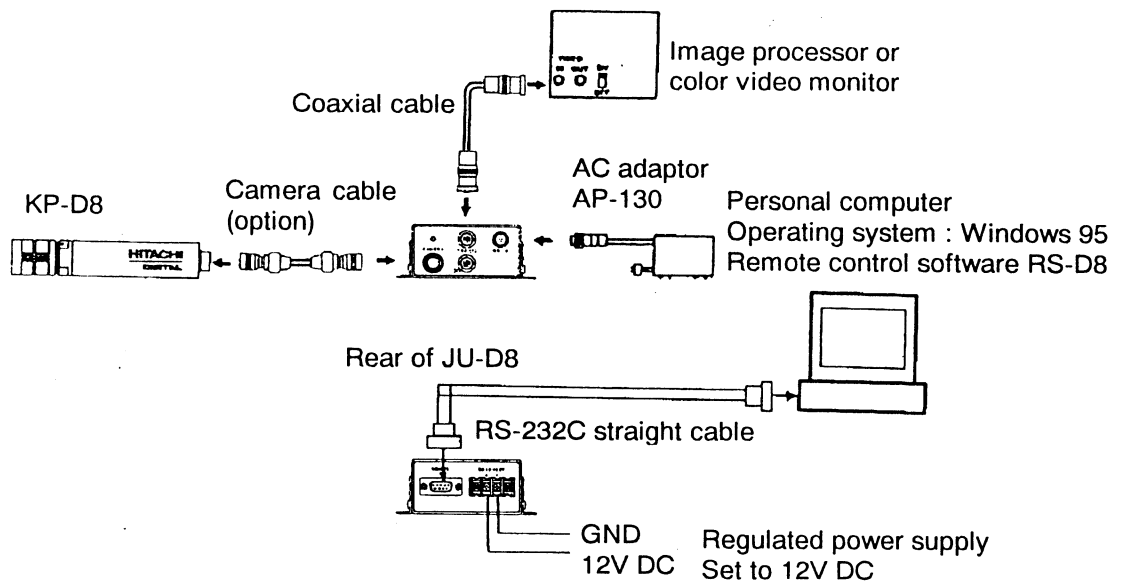
- When not using the AP-130 supply 12V from rear of the JU-D8.
- Set to 75 ohms termination switch only of the end monitor when plural monitors are connected in loop-through.

- **Connection with junction box JU-M1A**



- Connection of composite video output.
- Do not connect the cables to TRIG B IN, TRIG /VD IN, HD IN connector.
- When not using the AP-130 supply 12V from rear of the JU-D8.

- **Connection with junction box JU-D8 and a personal computer**



- Windows 95 is the trademark of Microsoft corporation.
- When not using the AP-130 supply 12V from rear of the JU-D8.

## # Connection of JU-D8 and personal computer

Use a straight interface cable for connecting the junction box JU-D8 to the RS-232C port of the personal computer. The following 5 signals needed to be connected.

Check when preparing the cable.

JU-D8 Plug : D-sub 9 pin (male)		Personal computer Plug:D-sub 9 pins (female)	
Signal name	Pin	pin	Signal name
—	1	1	CD
TX	2	2	RD(RXD)
RX	3	3	TD(TXD)
—	4	4	DTR
GND	5	5	GND
—	6	6	DSR
—	7	7	RS(RTS)
—	8	8	CS(CTS)
—	9	9	RI

**Note**

### Note

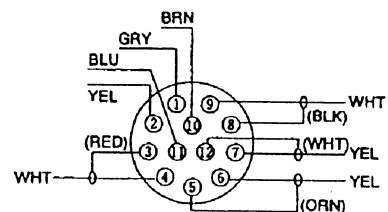
RS (pin 7) and CS (pin 8) have short-circuited on printed circuit board on the side of junction box JU-D8.

When installing the optional RS-232C interface circuit, short RTS (pin 7) and CTS (pin 8).

## 11. Camera cable [C-201KSM/C-501KSM/C-102KSM]

Cables dedicated for connecting the camera head and the Junction box JU-D8 are available as option.

Length	Type
2m	C-201KSM
5m	C-501KSM
10m	C-102KSM



### # Attenuation due to cable length (dB)

Length	Attenuation at Video signal		Voltage drop
	4MHz 50dB/km	7MHz 70dB/km	10V/km
2m	0.05 dB	0.07dB	0.02V
5m	0.10 dB	0.14dB	0.05V
10m	0.25dB	0.7dB	0.1V
*100m	5.0dB	7.0dB	1.0V

\* Only for reference value

# Internal connection of Junction box JU-D8

